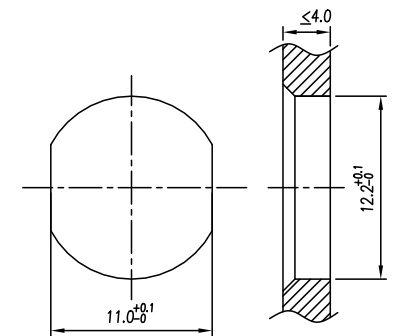


REVISION RECORD				
REV.	DESCRIPTION	ECN No.	APPROVED	DATE

IEC 技术参数 IEC Technical Data		IEC61076-2-101
工作温度 Operating temperatur [°C]		-25~+80
防护等级 IP Class (IN Locked condition)		IP67
额定电压 Rated Voltage [V]		
额定电流 Rated Current [A]		
导线截面积 Conductor cross section 硬质/柔性导线 Solid/ flexible [mm ²]		
接线范围 Wire Range 单/多芯线 Solid/Stranded [AWG]		
材料 Material		
绝缘材料 Insulation Material		PA 66
阻燃等级 Imflammability		UL94V-0
导体材料 Contactor Material		铜合金 Copper alloy
导体镀层 Contactive Coating		镀金 Gold Plated
螺母/螺丝 Connector Nut/Screw		Brass With Nickel Plated 铜镀镍
符合RoHS环保要求		

Contacts Pin 数	3Pin	4Pin	5Pin	8Pin	12Pin	17Pin
A-Coding						
Rated Current 额定电流	4A	4A	4A	2A	1.5A	1.5A
Rated Voltage 额定电压	250V	250V	60V	30V	30V	30V
Wire Range 线范围	22AWG	22AWG	22AWG	24AWG	26AWG	26AWG
PART NO.品名: (0.5M)	M12-A03P-ST0-M02-BQ3-050	M12-A04P-ST0-M02-BQ3-050	M12-A05P-ST0-M02-BQ3-050	M12-A08P-ST0-M02-BQ3-050	M12-A12P-ST0-M02-BQ3-050	M12-A17P-ST0-M02-BQ3-050



Panel cut-out

G	WIRE	WIRE:UL 1061 L=508m	pcs	X	
F	O-Ring	O-Ring FKM Black	pcs	1	
E	Resin	Black epoxy resin for sealing	g	2	
D	Nut	Nut: M12 X1.0,Brass With Nickel Plated	pcs	1	
C	Housing	A-Coding Male,Black PA66	pcs	1	
B	Terminal	Male Terminal ,Brass With Gold Plated	pcs	X	
A	Screw	Screw M12 X1.0,Brass With Nickel Plated	pcs	1	
编号 No.	料号 Materials.No	品名 Name	材料规格 Description	单位 Unit	用量 Qty

		慈溪市万捷电子有限公司 CIXI WANJIE ELECTRONIC CO., LTD				PART NO.: M12-AXXP-ST0-M02-BQ3-050			
		NO SPECIFIED TOLERANCE	Cus' P/N:	Order No.:	---	Drawing No.:	SP-02-M000XX	THIRD ANGLE PROJECTION	
LINEAR	0.5-6	±0.1	DES.	Jun	DATE	UNITS	mm		1 of 2
	6-30	±0.2	CHK.		DATE	SIZE	A4		
	>30	±2%	APP.		DATE	SCALE	X:X	文件等级:外部公开	

REVISION RECORD				
REV.	DESCRIPTION	ECN No.	APPROVED	DATE

3Pin

P1	Wirelist
1	brown
3	blue
4	black

4Pin

P1	Wirelist
1	brown
2	white
3	blue
4	black

5Pin

P1	Wirelist
1	brown
2	white
3	blue
4	black
5	grey

17Pin

P1	Wirelist
1	brown
2	blue
3	white
4	green
5	pink
6	yellow
7	black
8	grey
9	red
10	violet
11	grey/pink
12	red/blue
13	white/green
14	brown/green
15	white/yellow
16	yellow/brown
17	white/grey

12Pin

P1	Wirelist
1	brown
2	blue
3	white
4	green
5	pink
6	yellow
7	black
8	grey
9	red
10	violet
11	grey/pink
12	red/blue

8Pin

P1	Wirelist
1	white
2	brown
3	green
4	yellow
5	grey
6	pink
7	blue
8	red

 慈溪市万捷电子有限公司 CIXI WANJIE ELECTRONIC CO., LTD		PART NO.: M12-AXXP-ST0-M02-BQ3-050										
		Order No : ---	Drawing No.: SP-02-M000XX									
NO SPECIFIED TOLERANCE	0.5-6	±0.1	Cus' P/N:	DES. Jun DATE	Order No :	UNITS mm	THIRD ANGLE PROJECTION	PAGE				
	6-30	±0.2							CHK.	DATE	SIZE A4	2 of 2
	>30	±2%							APP.	DATE	SCALE X:X	
ANGLES	±1°		文件等级: 外部公开									